

ComAnt[®] Communications Antennas

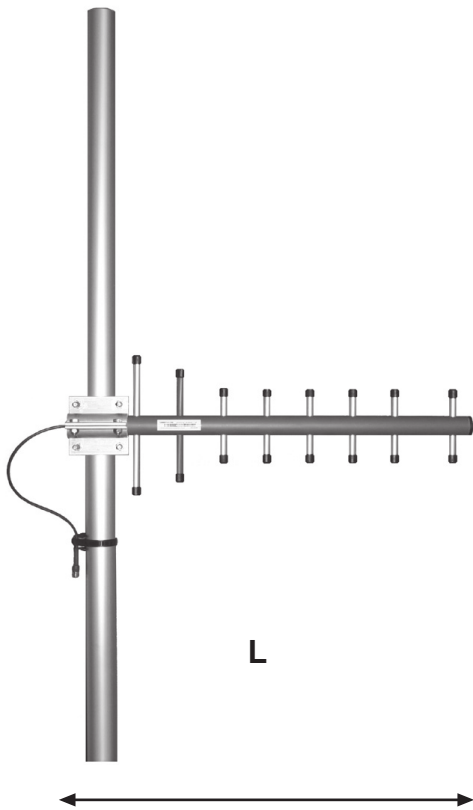
FREQUENCY INDEPENDENT DATA

Description: directional yagi
 Frequency:

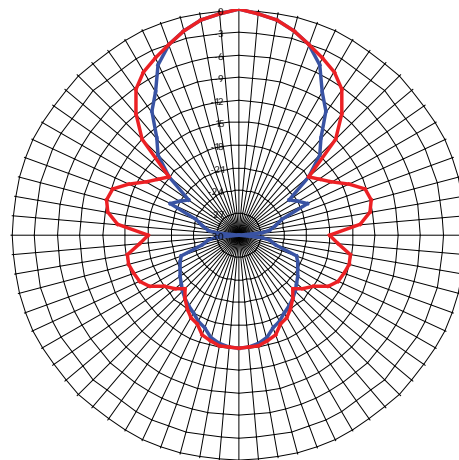
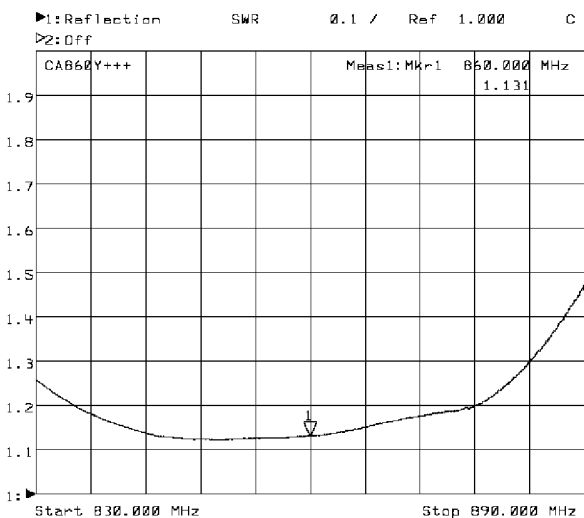
Impedance: 50 ohm
 Gain: 11 dBi
 Polarization: vertical/horizontal
 Connector: N-female
 VSWR: < 1.5
 Radome: UV resistant ABS, RAL 7012,
 PU foam filling
 Radiator: copper

Passive elements: coated aluminium
 Attachment: Ø 35-60 mm, aluminium alloy
 bracket, stainless steel V-bolts and self locking nuts

Lightning protection: DC-short circuited
 Temperature: -40° - +80°C
 IP: 67



RADIATION PATTERN



— E dB — H dB

®