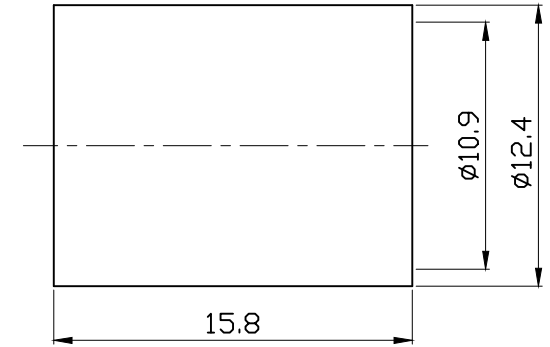
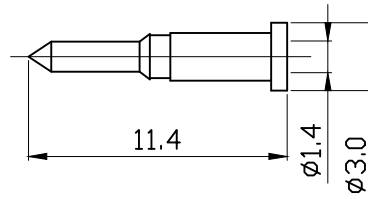
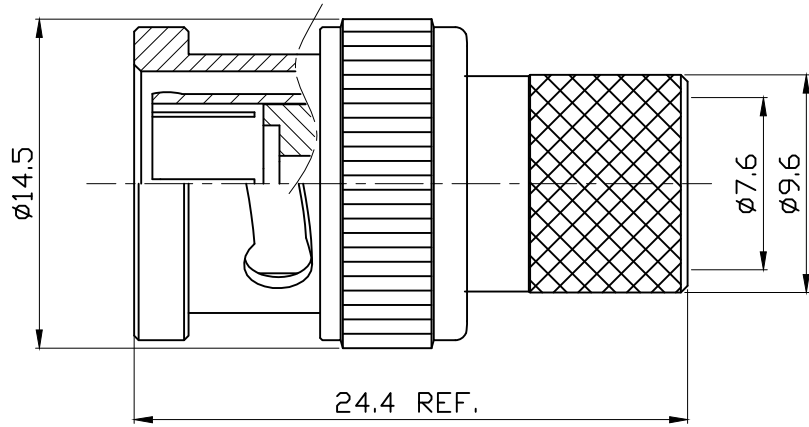


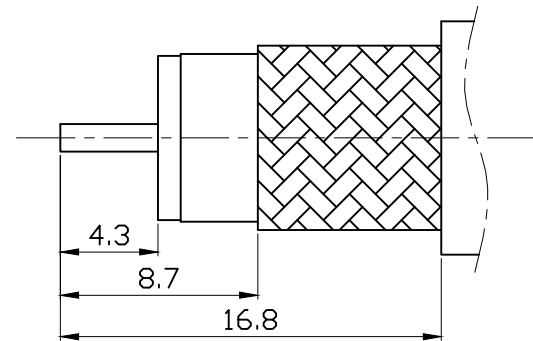
ROHS COMPLIANCE

DATE	DESCRIPTION	REV
16.11.21	NEW RELEASE	NA



Recommended Crimped Dimensions for Center Pin

Recommended Crimped Dimensions for Ferrule



Recommended Cable Stripping Dimensions

9	FERRULE	1	BRASS	NICKEL
8	WASHER	1	IRON	NICKEL
7	SPRING	1	SK-5	NICKEL
6	RETAINER RING	1	S50C	NICKEL
5	GASKET	1	PVC	RED
4	SHELL	1	ZINC	NICKEL
3	PIN	1	BRASS	GOLD
2	INSULATOR	1	POM	WHITE
1	BODY	1	BRASS	NICKEL
NO	Description	Q'ty	Material	Finish

Proprietary Note
This document contains information proprietary to WEIJE, which is either copyrighted, or patent applied for, and/or protected by trade secret laws. This document or parts thereof, may not be used, disclosed or reproduced in any method, or for any purpose, without the written permission of WEIJE, Taiwan.

MAJOR DIMENSIONS
UNLESS OTHERWISE NOTED TOLERANCES
<0.5=±0.05
0.5-6=±0.1
6-30=±0.2
30-120=±0.3
ANGLES=±1°

SCALE 3:1 UNIT mm

APPROVED BY
Jyun Liang
CHECKED BY
Wong Tih Syong
DRAWING BY
Wong Tih Syong
DATE
2017/06/02

OLD DRAWING NO
CH-7001-E2-75-11U

DRAWING NO
701S1X-RH-XX-2DGN-7

THIRD ANGLE PROJECTION

TITLE
BNC MALE CRIMP FOR RG11U



WEIJE ELECTRONICS CO., LTD.

REV.
NA

DO NOT SCALE DRAWING