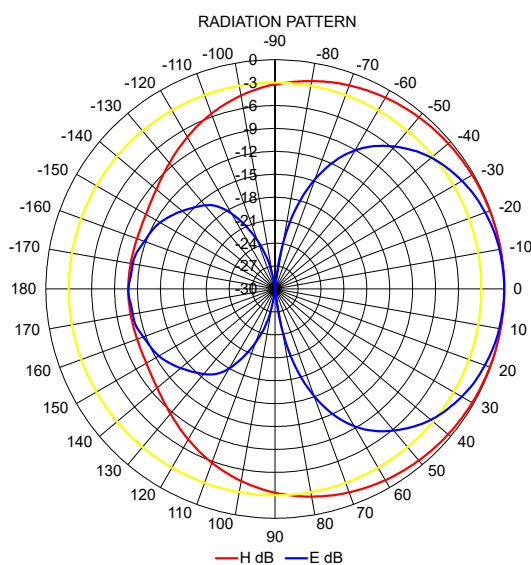
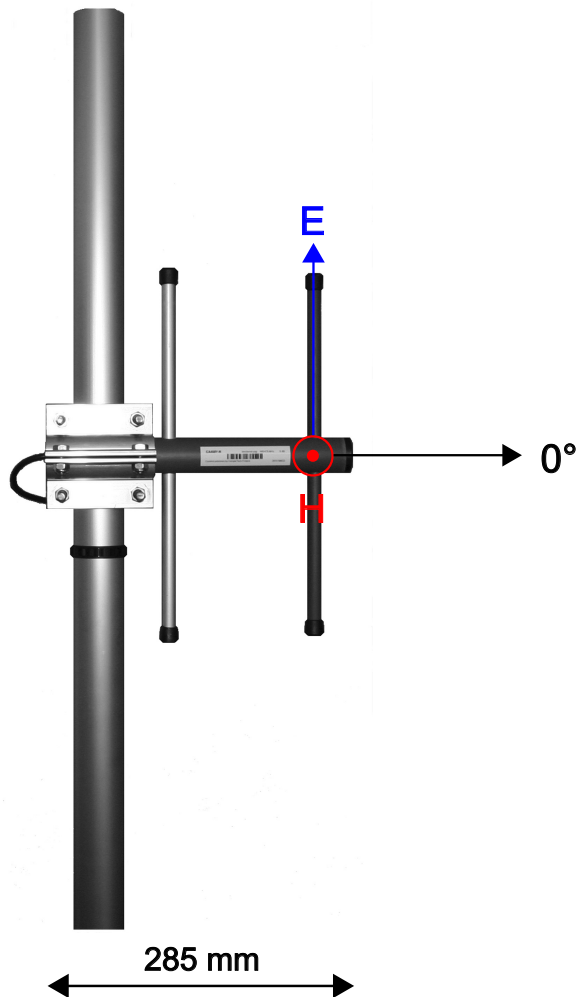


FREQUENCY INDEPENDENT DATA

| | |
|-----------------------|--|
| Description: | directional yagi |
| Frequency: | 405-440 MHz |
| Impedance: | 50 ohm |
| Gain: | 6 dBi |
| H -3 dB: | 174° |
| E -3 dB: | 77° |
| F/B: | 11 dB |
| Polarization: | vertical/horizontal |
| Connector: | N-female |
| VSWR: | < 1.5 |
| Radome: | UV resistant ABS, RAL 7012, PU foam filling |
| Radiator: | copper |
| Passive elements: | coated aluminium |
| Attachment: | Ø 35-60 mm, aluminium alloy bracket, stainless steel V-bolts and self-locking nuts |
| Lightning protection: | DC-short circuited |
| Temperature: | -40°C - +80°C |
| IP: | 67 |



HCM 087EC28 038EA00

- combination of durability, light weight and low wind load
- radome enclosed radiator
- IP67 proof construction
- all electromechanics moulded inside of closed cell PU foam
- DC shorted feed point
- integrated impedance compensation
- integrated RF choke

CA420Y-N DIRECTIONAL YAGI