

1 2 3 4 5 6 7 8

REVISIONS		
ISS	ZONE	DESCRIPTION\PER REQUEST\DATE

F

E

D

C

B

A

F

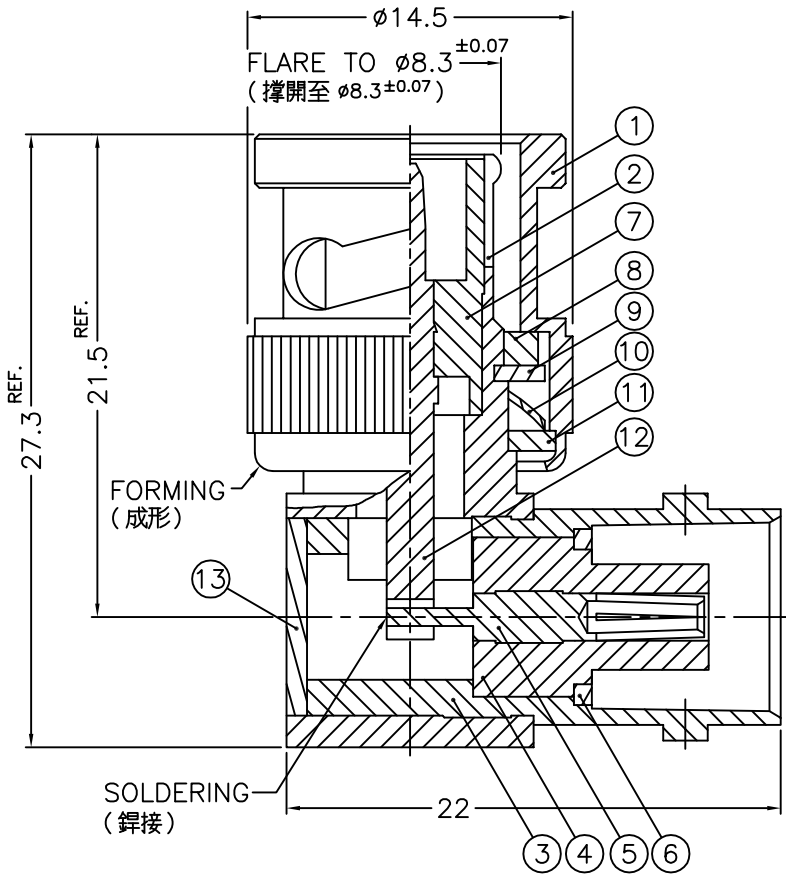
E

D

C

B

A



NOTES: FINISH (PLATING THICKNESS IN MICRO-INCHES)

- 1. BRASS
- 2. NICKEL PL. 100 MIN. THICK OVER COPPER PL. 50 MIN. THICK
- 3. PHOSPHOR BRONZE
- 4. GOLD PL. 3 MIN. THICK OVER NICKEL PL. 50 MIN. THICK OVER COPPER PL. 50 MIN. THICK
- 5. DELRIN

13	COVER	NOTE 1	NOTE 2	1	CV-895-07
12	CONTACT PIN	NOTE 1	NOTE 4	1	900-5072A2-12
11	WASHER	NOTE 1	NOTE 2	1	WS-90-128-08
10	SPRING	SK5	NOTE 2	1	900-1000-6
9	RETAINER RING	NOTE 1	NOTE 2	1	900-1000-5
8	GASKET	RUBBER	RED	1	GS-80-115-15
7	INSULATOR	NOTE 5	NATURAL	1	900-2071A2-3D
6	LOCK RING	IRON	NOTE 2	1	900-6000-4
5	CONTACT PIN	NOTE 3	NOTE 4	1	900-5072A1-5
4	INSULATOR	NOTE 5	NATURAL	1	900-5072A1-4-50D
3	BODY	NOTE 1	NOTE 2	1	900-5072A1-3
2	HOUSING	NOTE 1	NOTE 2	1	900-5072A2-2
1	SHELL	NOTE 1	NOTE 2	1	900-1000-1
NO.	DESCRIPTION	MATERIAL	FINISH	Q'TY	DRAWING NO.

DIMENSIONS ARE IN MILLIMETERS				PART NO.		TITLE BNC MALE TO FEMALE R/A ADAPTOR	
UNLESS OTHERWISE SPECIFIED TOLERANCES 0.5-6 = ±0.2 6-30 = ±0.4 30-120 = ±0.6 120-315 = ±1 315-1000 = ±1.6 1000-2000 = ±2.4				APPROVED	DATE 12-21-'10		DRAWING NO. 900-5072A2-50D
				CHECKED	DATE 12-21-'10		FILE NO. R:\D\G\DWG\900\5072A2\50D-1
				DRAWN	DATE 12-21-'10		
				SCALE	3/1	ISSUE	A

1 2 3 4 5 6 7 8