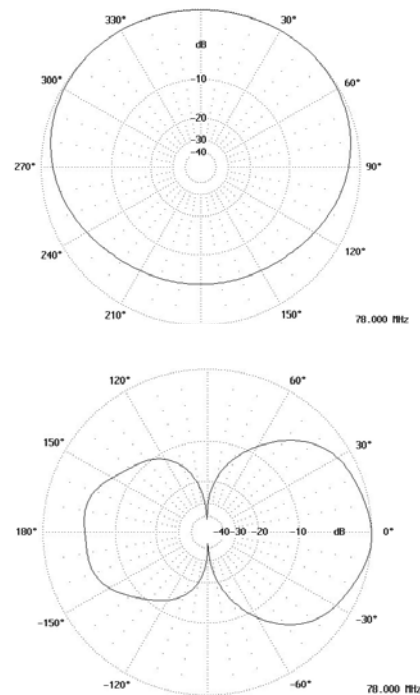
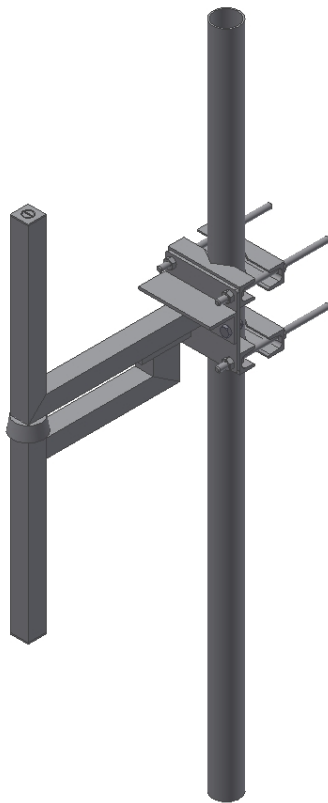


AV1312-2-70ms-DM-A2-160FN1



Type	AV1312-2-70ms-DM-A2-160FN1
Frequency	146...174 MHz
Bandwidth	28 MHz
Impedance	50 Ω DC grounded
VSWR	1,5 max
Polarisation	Vertical
Gain	2 dBi
E-plane 3 dB beamwidth	70°
H-plane 3 dB beamwidth	200°/depending on mounting
Electrical downtilt	None
Front to back ratio	6 dB/depending on mounting
Max. Continuous power	0,5 kW
RF-connector	N-female panel
Operational windspeed	70 m/s
Survival windspeed	70 m/s
Wind area	0,11 m ²
Dimensions (H x W x D) (\varnothing x H)	824 x 520 x 160 mm
Weight	10 kg antenna only, add 3,8 kg for standard mounting kit AETM160-1
Mounting diameter	\varnothing 30...115 mm pipe
Materials	70ms=operational wind speed 70m/s DM=double mounting using AETM160-1 A2=A2 steel Glass reinforced PE
Options	-