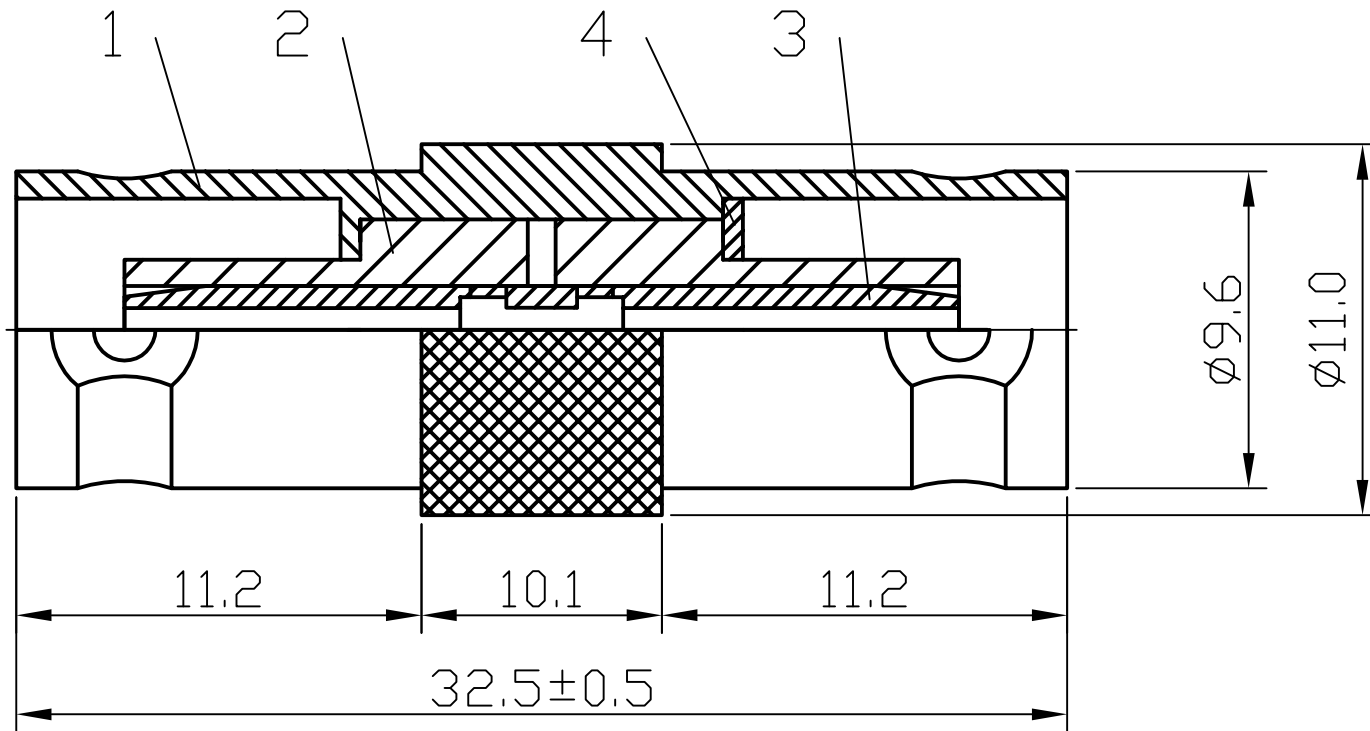


ROHS COMPLIANCE

DATE	DESCRIPTION	REV
09.06.22	NEW RELEASE	A



NO	Description	Q'ty	Material	Finish	Part Number
4	WASHER	1	BRASS	NICKEL	
3	PIN	1	BRASS	GOLD	
2	INSULATOR	2	DELRIN	WHITE	
1	BODY	1	BRASS	NICKEL	

UNLESS OTHERWISE SPECIFIED
 1. REMOVE ALL BURRS.
 2. BREAK ALL CONNERS & EDGES CO. 15 MAX.
 3. CHAMFER 1ST & LAST THREADS 45°.
 4. DIAMETERS ON COMMON CENTERS.
 TO BE CONCENTRIC WITHIN 0.01 T.I.R.
 5. ALL DIMENSIONS ARE AFTER PLATING.

MAJOR DIMENSIONS
 UNLESS OTHERWISE NOTED TOLERANCES
 0.5-6=±0.2
 6-30=±0.4
 30-120=±0.6
 ANGLES=±5°

APPROVED BY
 CHECKED BY
 DRAWING BY
 DATE

L&O
ARJ&MP
 2010/12/21

DRAWING NO
 411-200

TITLE
 DOUBLE BNC FEMALE ADAPTER

REV.
 A

transVoice

DO NOT SCALE DRAWING