

# **SPECIFICATION FOR APPROVAL**

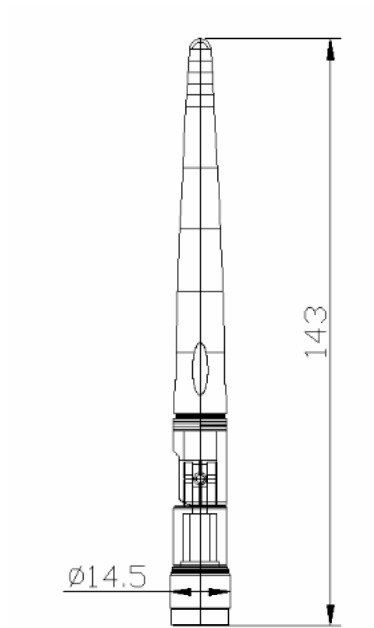
**Customer :**

**Model No. :** 2,4-RO-3-RPTNC

**Description :** 2.4~2.4835GHz SWIVEL ANTENNA

**Date :** 2006/12/22

**Rev :** 1



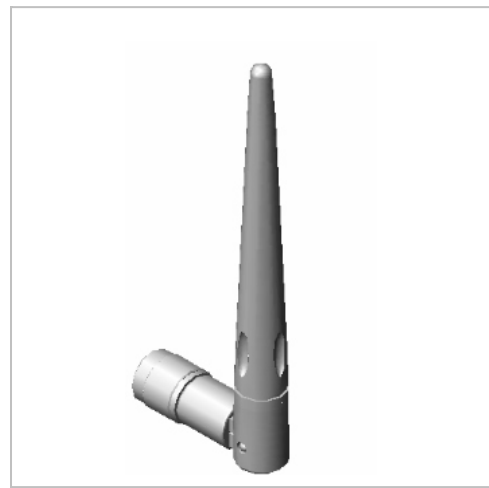
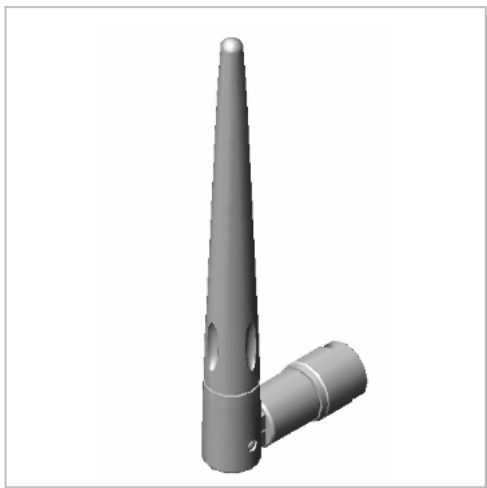
### Electrical Specifications:

Frequency Range :	2.4 ~ 2.4835GHz
VSWR :	≤ 2.0
Impedance :	50Ω ± 5Ω
Gain :	3dBi
Polarization :	Vertical
Power Handling :	1 Watt
Beam Width :	H: 360° /E: 32.2°

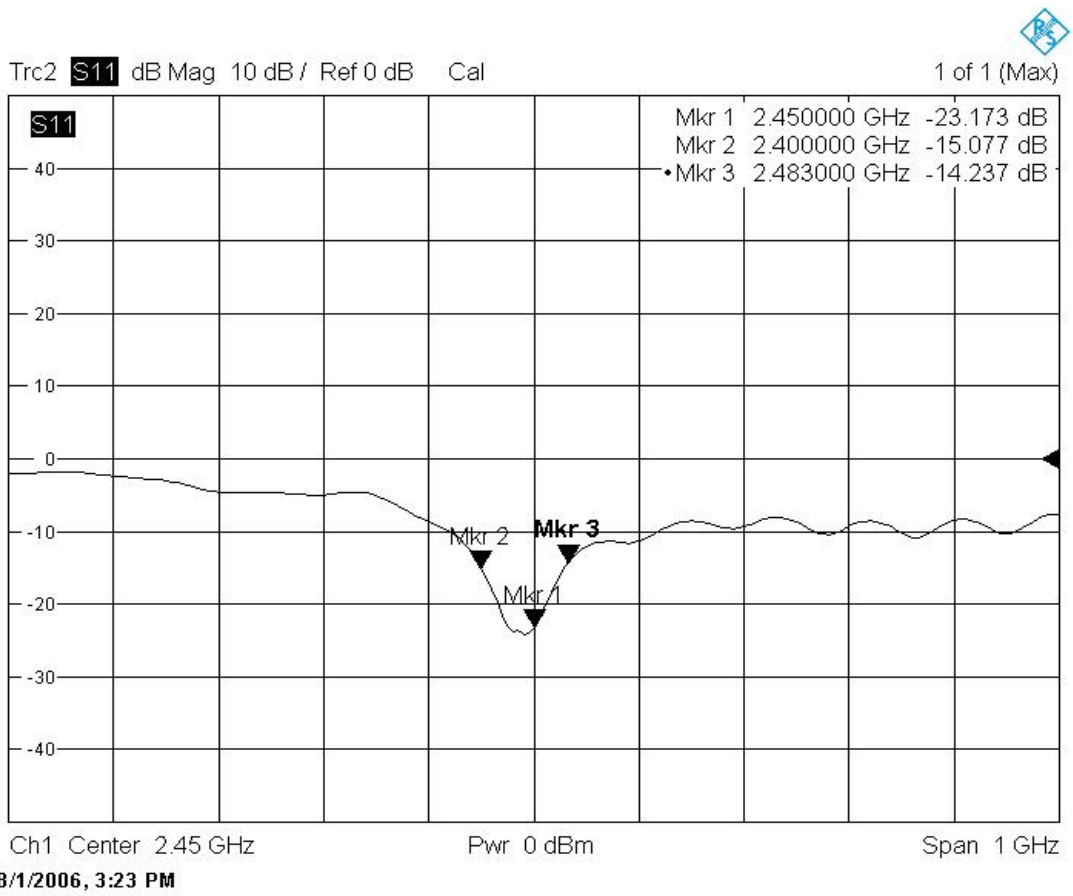
### Mechanical Specifications:

Connector :	TNC Male RS
Operation Temp.:	-30°C ~ +60°C
Material :	Radome: ABS Base: ABS
Dimension (L*W*H) :	Ø14.5*143mm
Weight :	24g ± 2g
Color :	Black

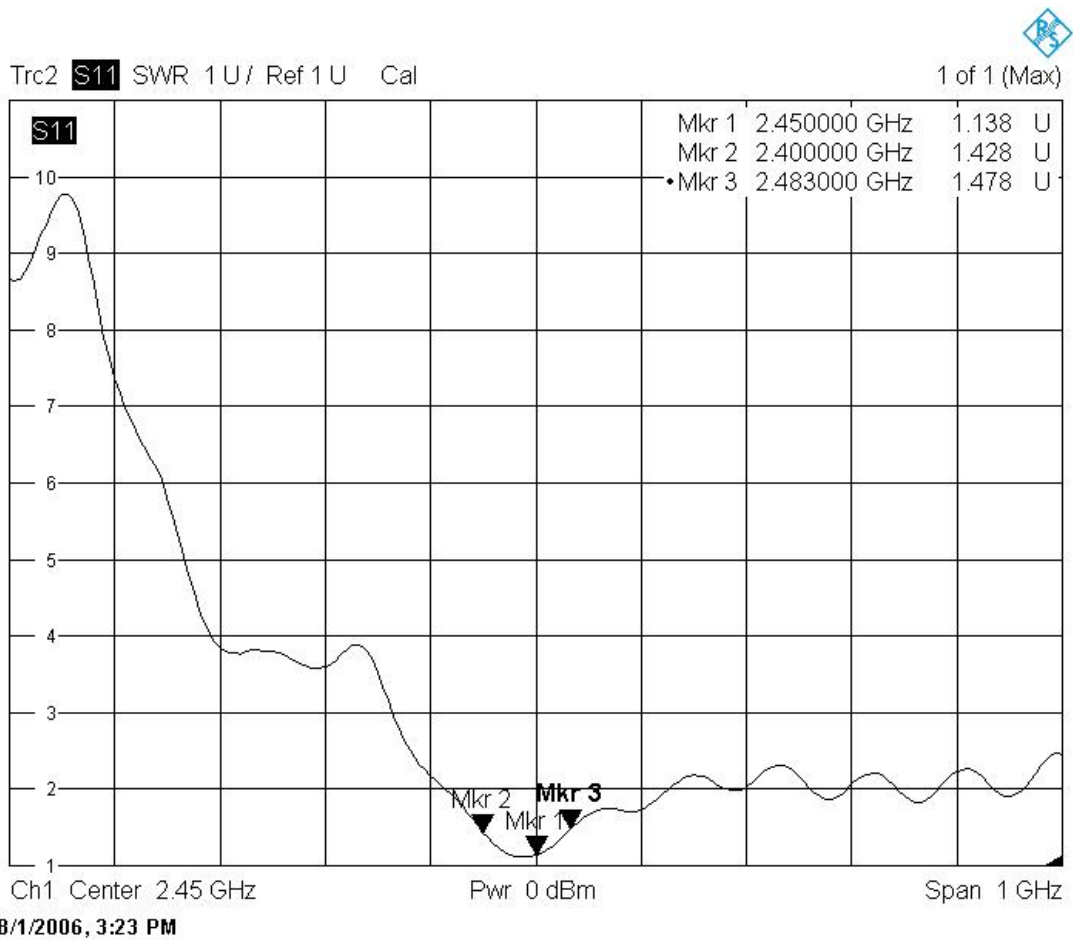
## 3D Illustration



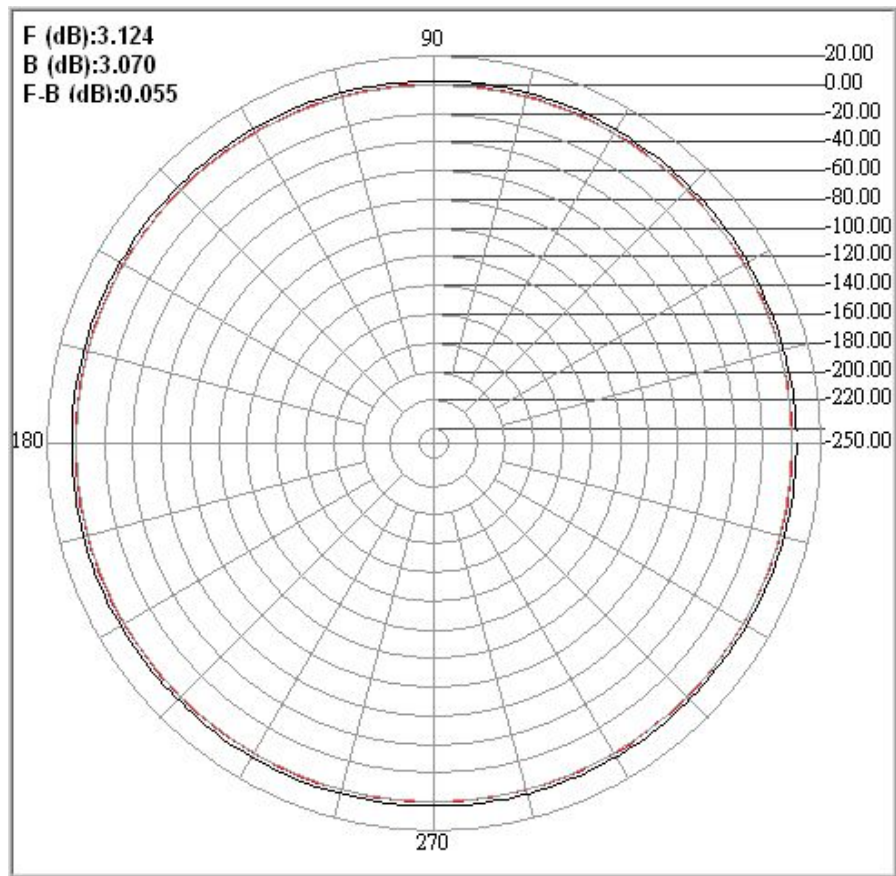
# RETURN LOSS



# SWR



## H-PLANE



## E-PLANE

