

Specification

1. Product Type: 5GHz Antenna

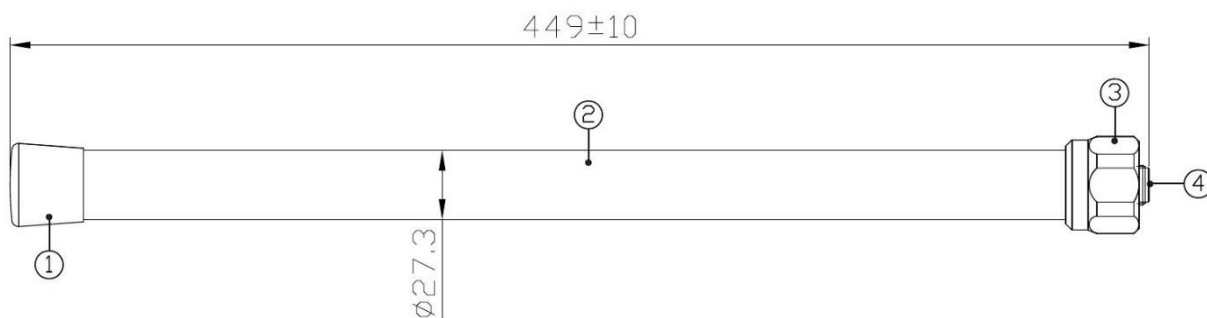
2. Part No: 207-068


3. Frequency: 698~3800MHz

4. Connector: N Female

✂RoHS Compliant

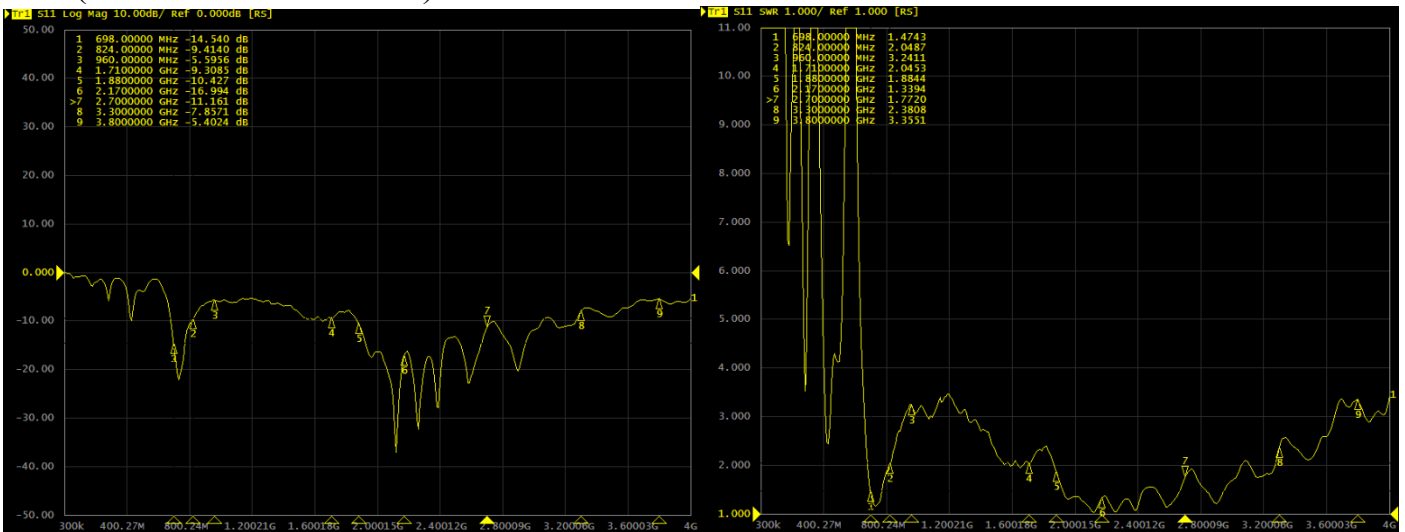
NO.	NAME	Q, TY
01	Cap	01
02	Fiberglass	01
03	Antenna connector	01
04	N(Female)	01



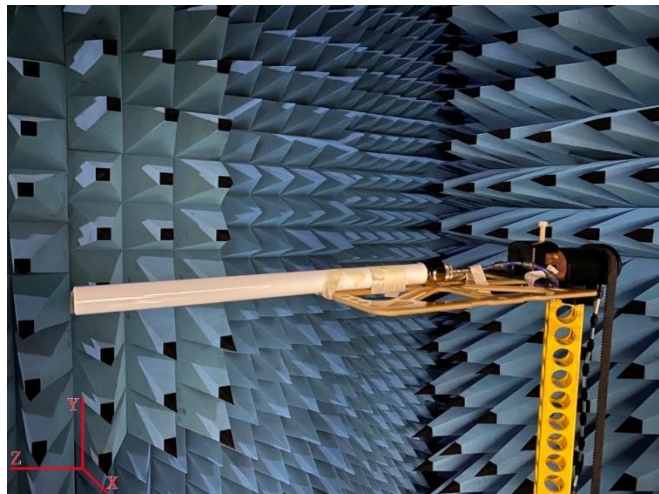
 Third angle projection	CUSTOMER' S	MODEL	FREQUENCY		UNIT	SCALE	DATE	VERSION
			698-960/1710-3800MHz		M/M		2022/02/25	1
TRANSVOICE	TOLERANCE	X. XX±0. 15	NAME	PARTS NUMBER	APPROVED	CHECKED	DRAWING	DESIGNED
	SURFACE ROUGHNESS	$\frac{S}{\nabla}$		207-068				

Frequency (MHz)	Return Loss (dB)	VSWR	Efficiency (%)	Gain (dBi)
698	-14.54	1.47	72.95	0.06
824	-9.41	2.04	61.24	-0.46
960	-5.59	3.24	89.74	1.82
1710	-9.30	2.04	63.1	2.96
1880	-10.42	1.88	79.25	3.38
2170	-16.99	1.33	72.95	3.94
2700	-11.16	1.77	90.99	4.46
3300	-7.85	2.38	91.41	3.85
3800	-5.40	3.35	57.41	2.33

Test (Return Loss & VSWR)

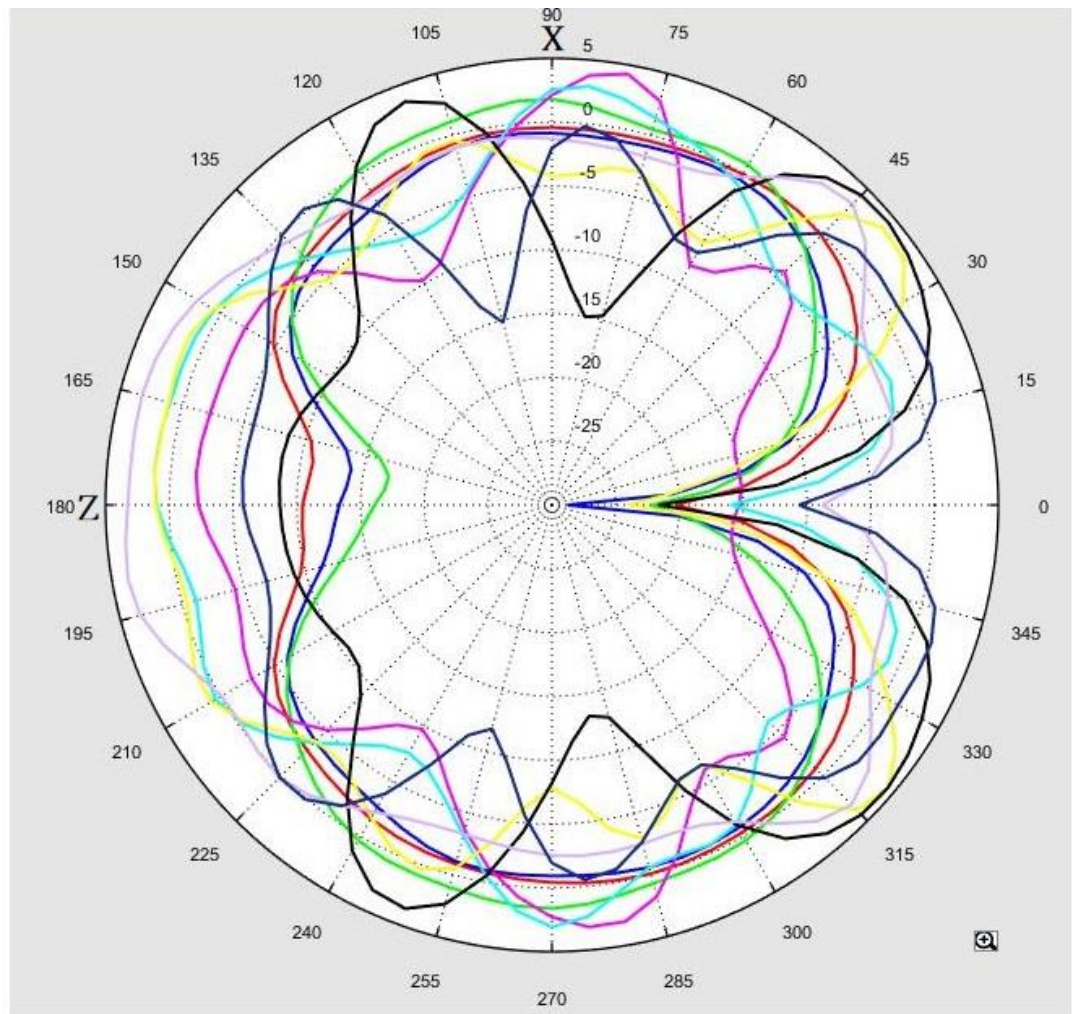


3D Test Photo

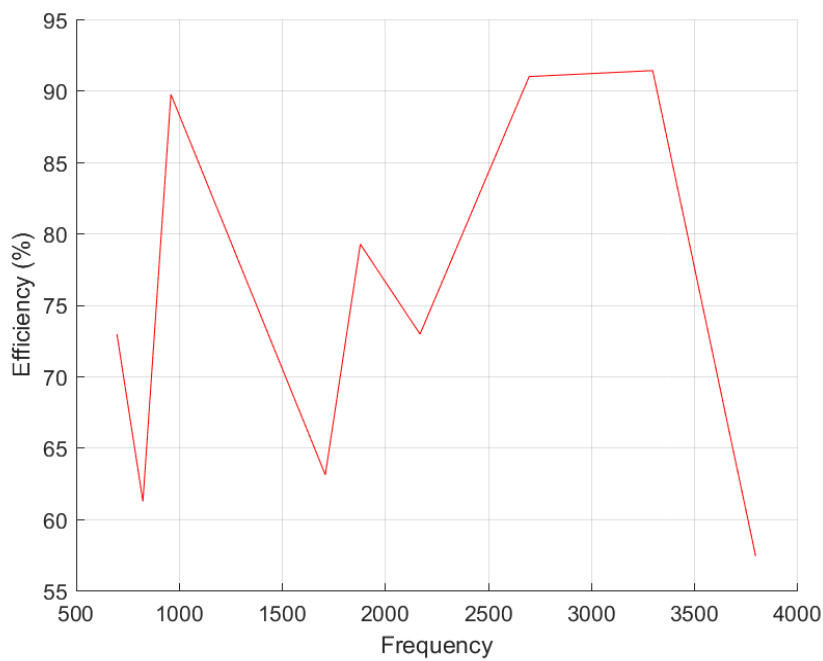


3D Test Data

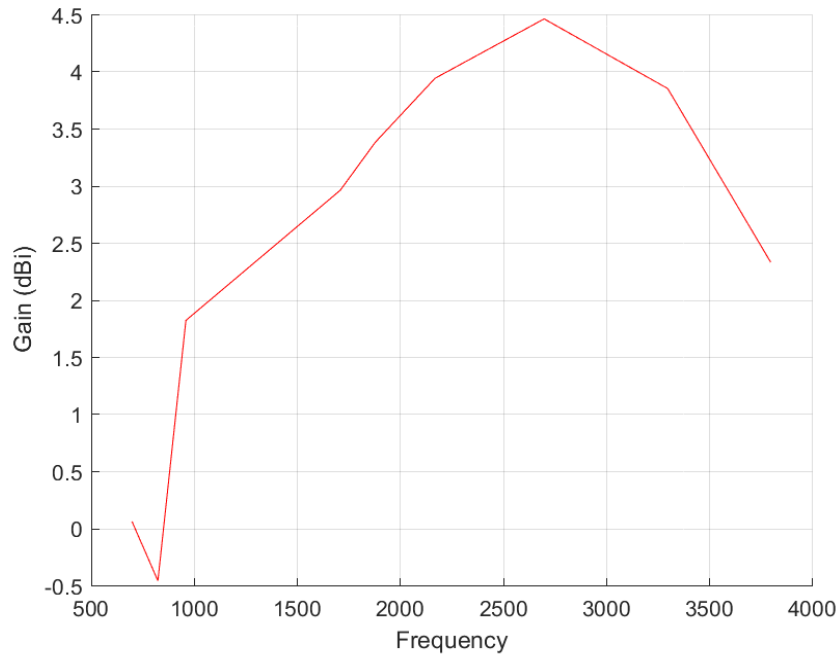
Freq. / Chan.	Color
698MHz	Red
824MHz	Blue
960MHz	Green
1.71GHz	Magenta
1.88GHz	Cyan
2.17GHz	Yellow
2.7GHz	Black
3.3GHz	Light Purple
3.8GHz	Dark Blue



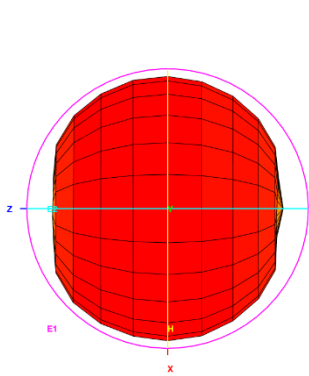
Total_Efficiency (%)



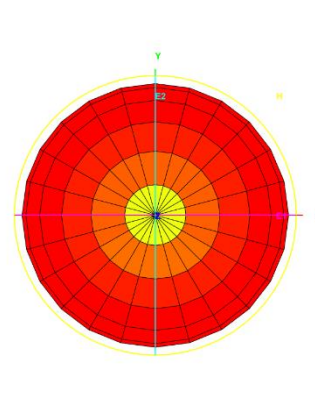
Total_Gain (dBi)



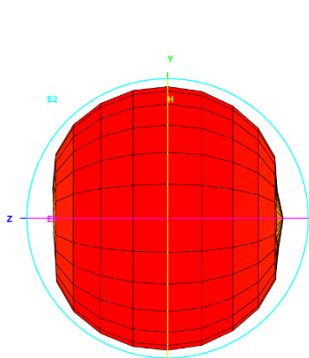
Total_3D_Top View_698MHz



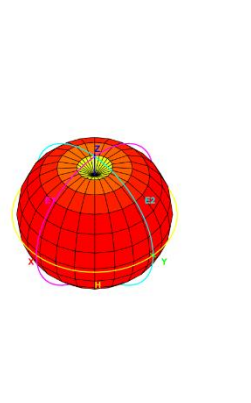
Total_3D_Front View_698MHz



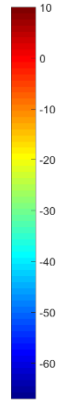
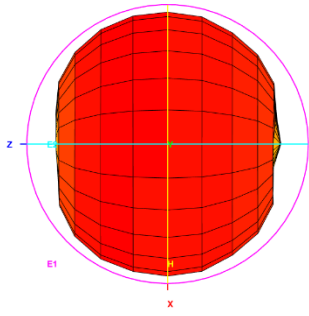
Total_3D_Left View_698MHz



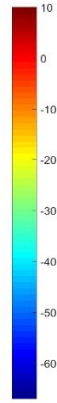
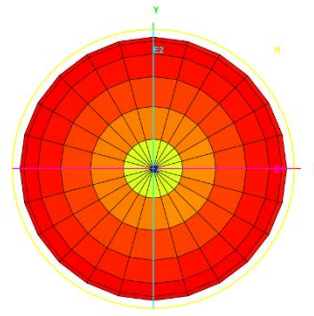
Total_3D_Side View 1_698MHz



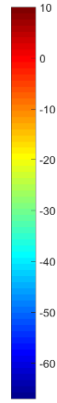
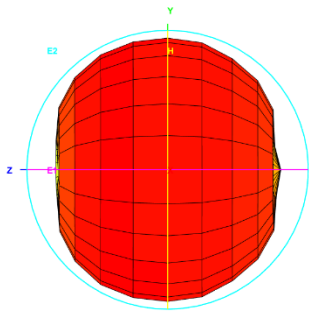
Total_3D_Top View_824MHz



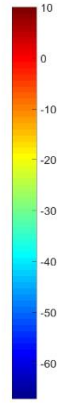
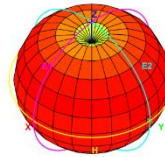
Total_3D_Front View_824MHz



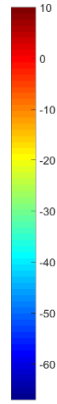
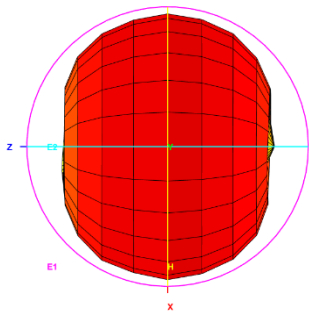
Total_3D_Left View_824MHz



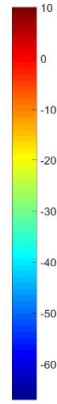
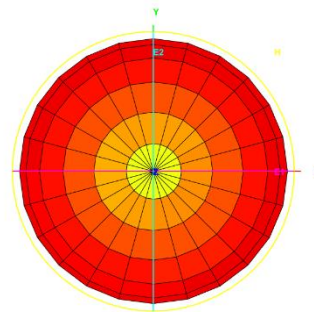
Total_3D_Side View 1_824MHz



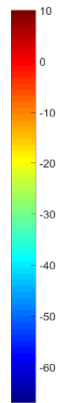
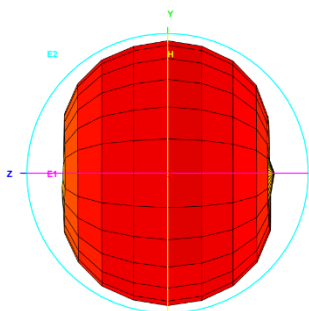
Total_3D_Top View_960MHz



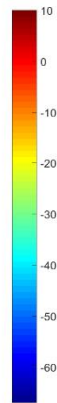
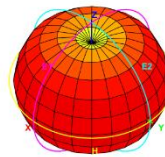
Total_3D_Front View_960MHz



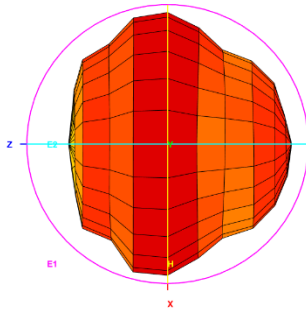
Total_3D_Left View_960MHz



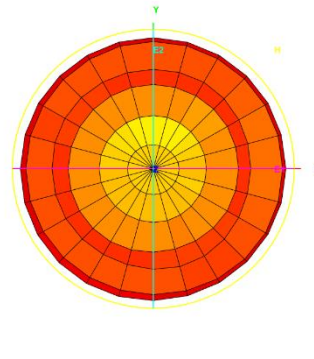
Total_3D_Side View 1_960MHz



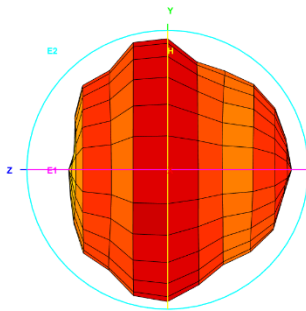
Total_3D_Top View_1.71GHz



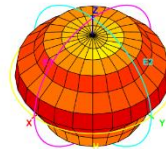
Total_3D_Front View_1.71GHz



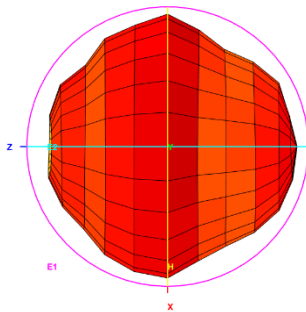
Total_3D_Left View_1.71GHz



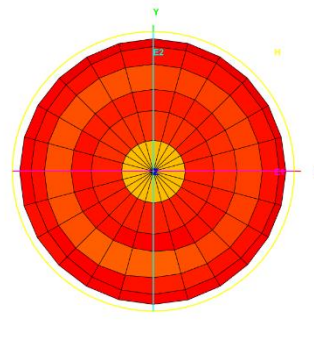
Total_3D_Side View_1.71GHz



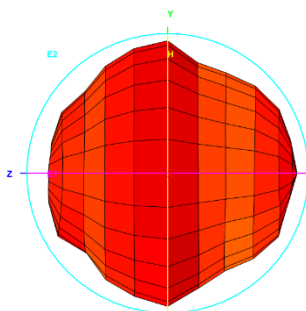
Total_3D_Top View_1.88GHz



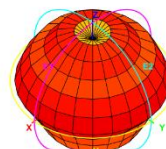
Total_3D_Front View_1.88GHz



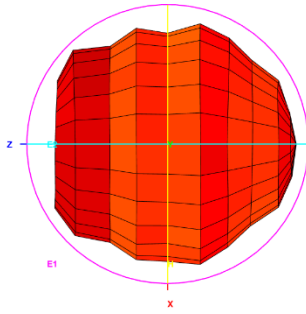
Total_3D_Left View_1.88GHz



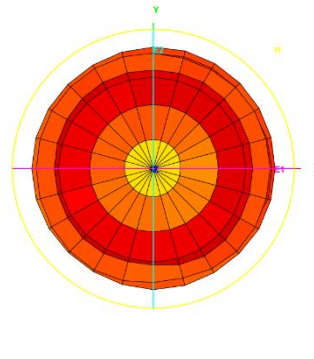
Total_3D_Side View_1.88GHz



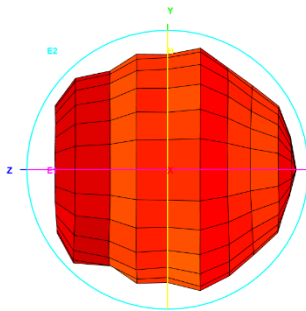
Total_3D_Top View_2.17GHz



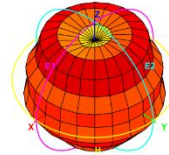
Total_3D_Front View_2.17GHz



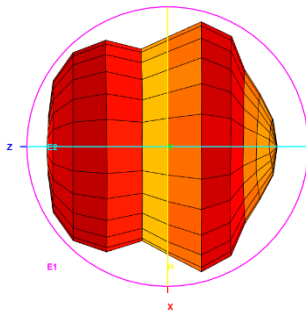
Total_3D_Left View_2.17GHz



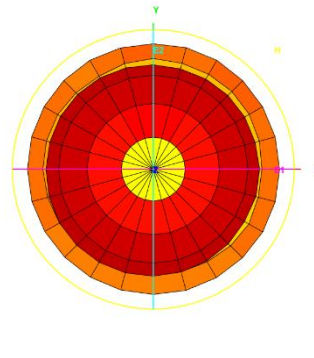
Total_3D_Side View 1_2.17GHz



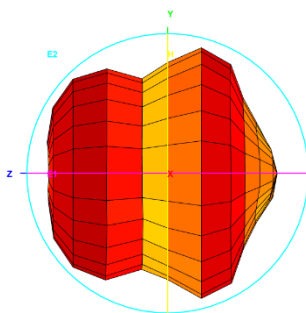
Total_3D_Top View_2.7GHz



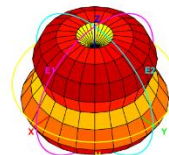
Total_3D_Front View_2.7GHz



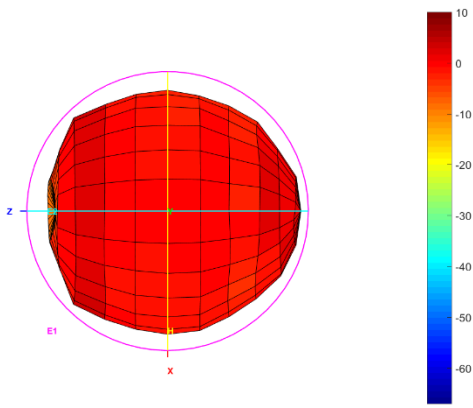
Total_3D_Left View_2.7GHz



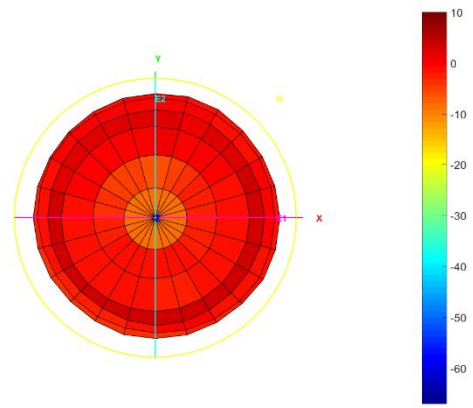
Total_3D_Side View 1_2.7GHz



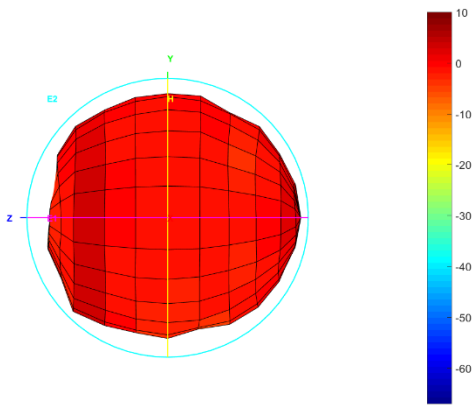
Total_3D_Top View_3.3GHz



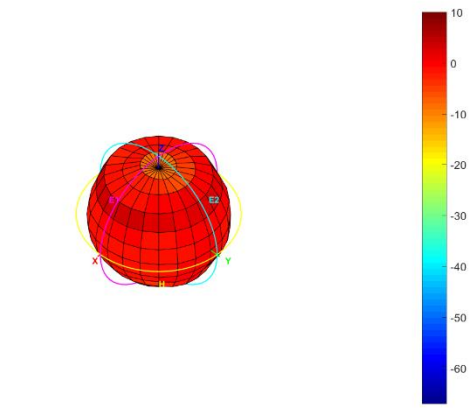
Total_3D_Front View_3.3GHz



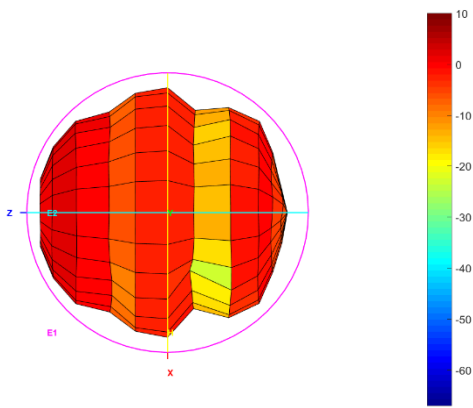
Total_3D_Left View_3.3GHz



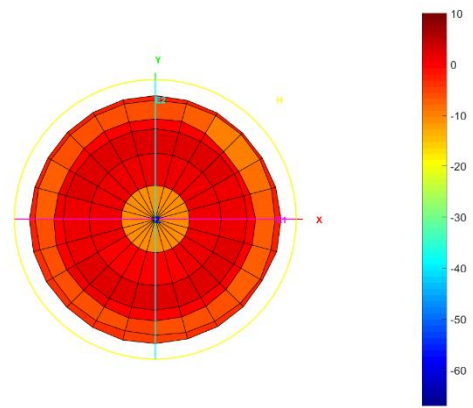
Total_3D_Side View 1_3.3GHz



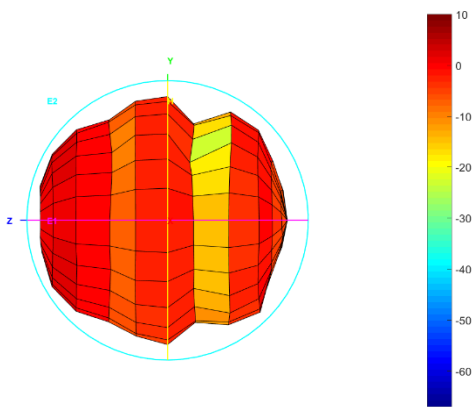
Total_3D_Top View_3.8GHz



Total_3D_Front View_3.8GHz



Total_3D_Left View_3.8GHz



Total_3D_Side View 1_3.8GHz

