

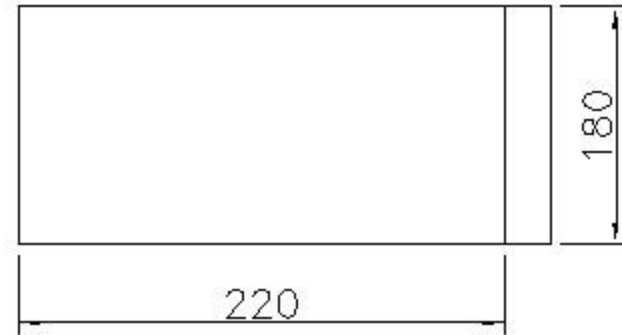
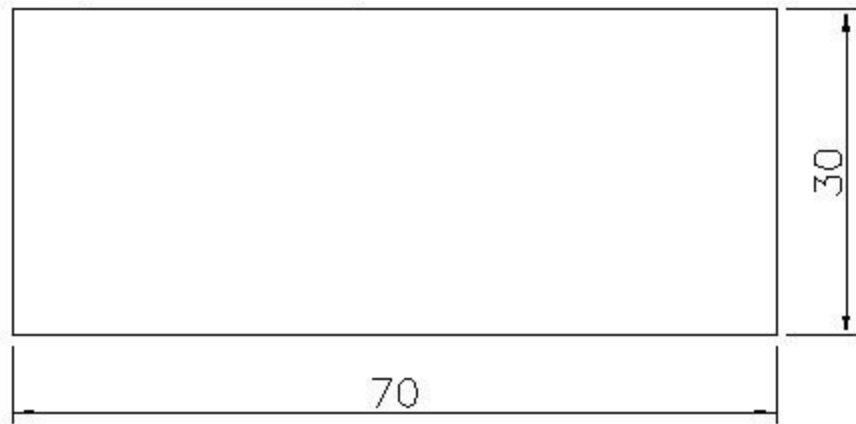
	Connector	Cover	OD	Cable	Gain	V.S.W.R	Impedance	Frequency
LTE 5G	MCX M RA(Gold)	White	$\phi 2.6 \pm 0.2$	RG316/U	2dB	2.0:1	50 $\Omega$	$\triangle C1$ 600~6000MHz

**ROHS**

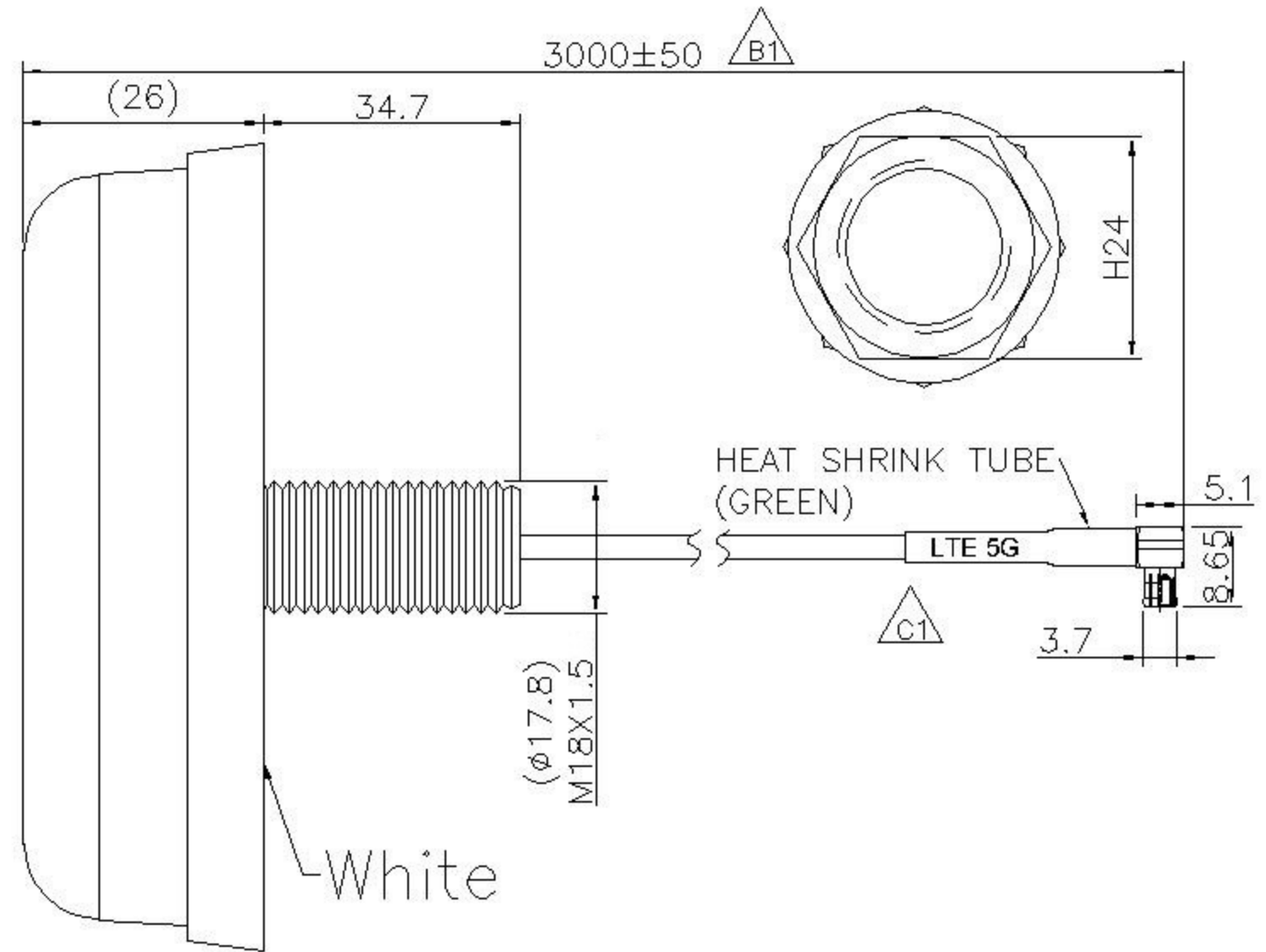
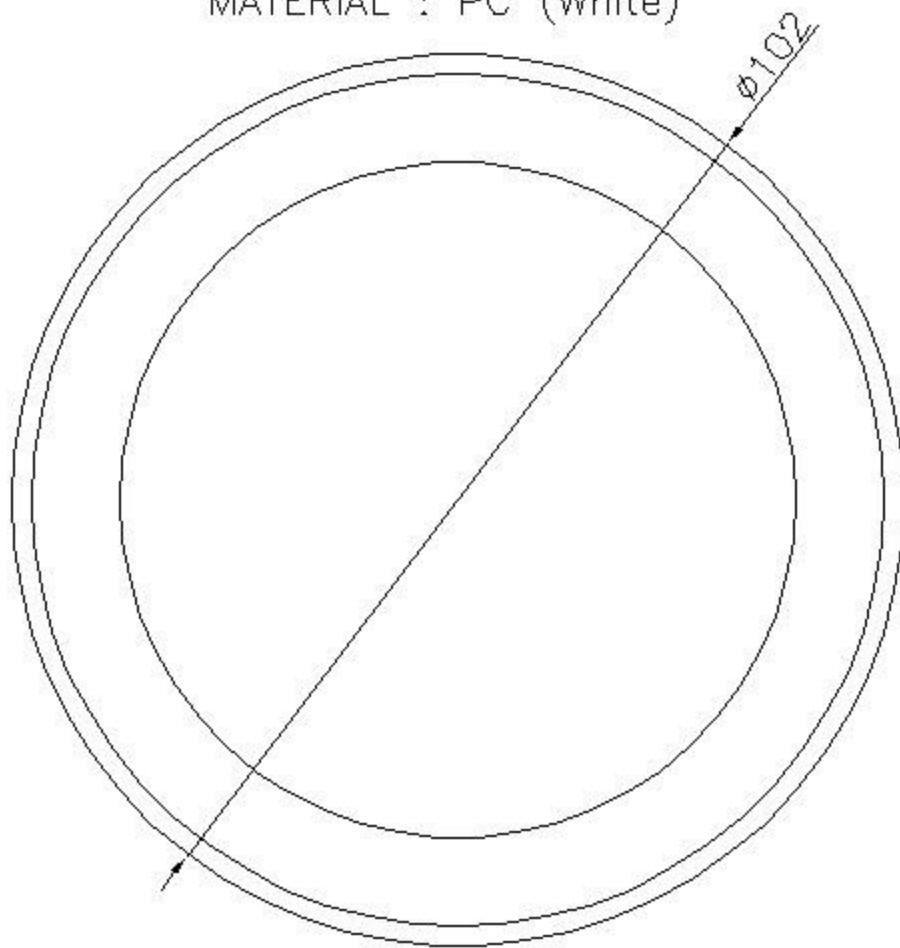
ISO 9001  
ISO 14001

Unit packaging sticker

Unit packaging PE bag



SR : B-107004  
MATERIAL : PC (White)



2021/10/5  $\triangle C1$  Change Frequency & Heat shrink tube  
2021/8/26  $\triangle B1$  2500±25 Change to 3000±50

NO	DESCRIPTION	MATERIAL / FINISH	Q'TY
Part NO			

Material:		Treatment:		TRANSVOICE			
Drawer	Design	Aprov	Tolerance	Unit: mm	$\phi$ $\nabla$	TITLE	LTE 5G +316U +MCX M RA
			X=±0.5 .X=±0.2 .XX=±0.1 .XXX=±0.05	Ver: C	Scale 1:1	Model NO	202-942
				File NO: QR0402		Drawing NO	