

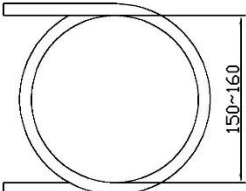
# Specification

1. Product Type: ADAPTER CABLE
2. Part No: 201-606
3. Frequency: 1~6 GHz
4. Cable: FT200
5. Connector: RP SMA M & N M

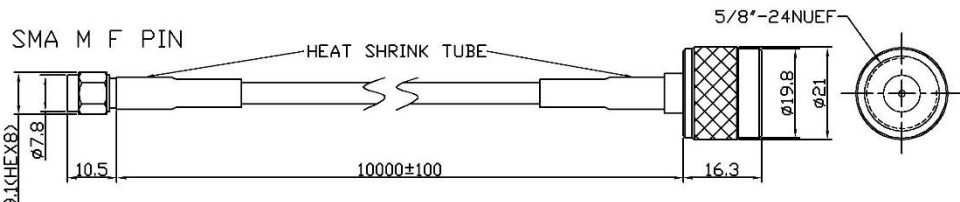
**✳️RoHS Compliant**

Cable	FT-200	<div style="border: 1px solid black; padding: 5px; display: inline-block;"> <b>ROHS</b>          ISO 9001          ISO 14001       </div>
ØD	Ø5.0±0.1mm	
Cover	Black	
RP SMA M	Ni	
N M	Ni	



150~160



SMA M F PIN      HEAT SHRINK TUBE      5/8"-24NUEF

9.1(HEX)      10.5      10000±100      16.3

Ø19.8      Ø21

Material:		Treatment:		TRANSVOICE			
Drawer	Design	Aprav	Tolerance	Unit: mm		TITLE	RP SMA M+FT-200+N M
			X=±0.5	Ver: A	Scale 1:1	Model NO	201-606
			.X=±0.2	File NO: QR0402		Drawing NO	100-27001-270
			.XX=±0.1				
			.XXX=±0.05				

Frequency (MHz)	VSWR	Return Loss (dB)	Insertion Loss (dB)
1000	1.13	-24.59	-3.87
2000	1.10	-26.49	-5.79
3000	1.16	-22.52	-7.34
4000	1.06	-33.91	-8.78
5000	1.04	-33.55	-10.17
6000	1.09	-27.13	-11.34

### Test Report(Return Loss & VSWR)(GNSS)

