

Low-Pass Filter for the 450 MHz Band

DESCRIPTION

- > Medium power low-pass filter for the 400 – 470 MHz range.
- > Attenuates especially 2. and 3. harmonics.
- > High frequency stability on temperature and power.
- > Attenuation in stop band better than 40 dB.
- > Extremely low insertion loss (less than 0.2 dB).

SPECIFICATIONS

Electrical	
Model	PRO-LP 450
Frequency	Pass band: 400 - 470 MHz Stop band: 800 - 1410 MHz
Max. Input Power	150 W
Pass Band Insertion Loss	< 0.2 dB (typ. < 0.1 dB)
Impedance	50 Ω
Application	Low-pass filter for the 450 MHz band
VSWR	< 1.5:1
Stop Band Attenuation	> 40 dB

Mechanical	
Connection(s)	N female/N male
Dimensions	98 (incl. conn.) x 39.5 x 28 mm 3.5 x 1.5 x 1.1"
Weight	0.15 kg / 0.33 lb
Mounting	3.2mm dia. (4 holes)

Environmental	
Operating Temperature Range	-30°C to +60°C

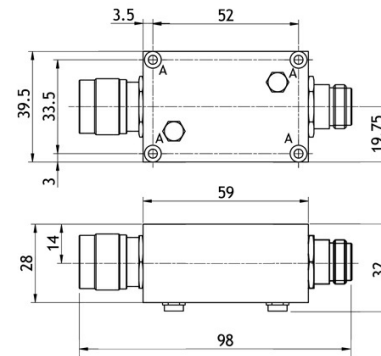
ORDERING

Model	Product No.
PRO-LP 450	200001279



DIAGRAM

MOUNTING DETAILS



TYPICAL RESPONSE CURVES

